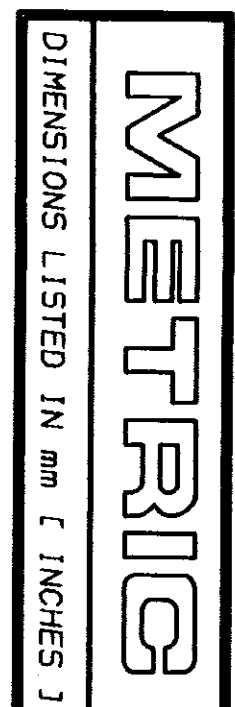
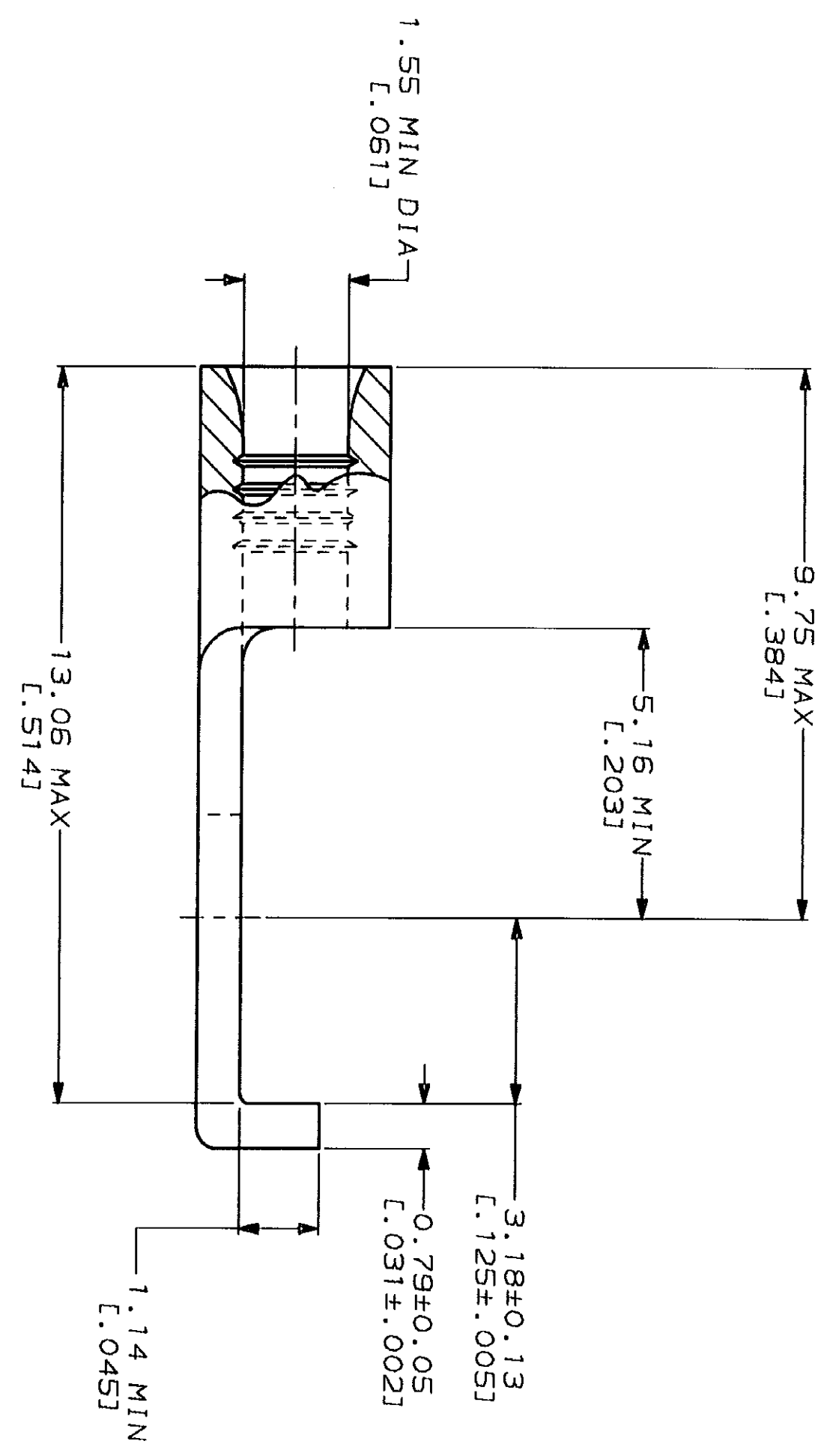
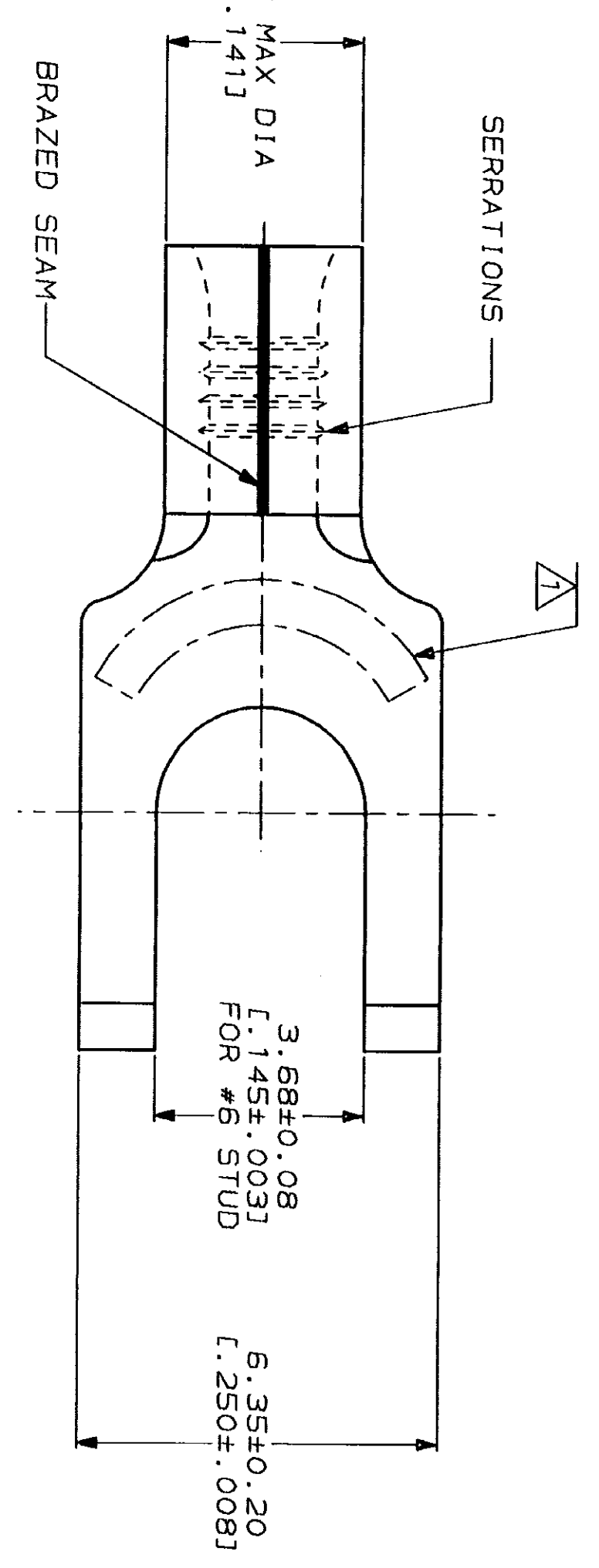


LOC	QTY	REV	DESCRIPTION	DATE	APPD
G	14		REV. RDW, 8 SM PKG PER 0720-0040-93	4-8-93	JL



<b>AMP</b> WIRE RANGE	<b>JL</b> E13288 Listed
22-16 AWG SOLID OR STRANDED	22-16 AWG SOLID OR STRANDED
<b>LR2189</b> Certified	MILITARY P/N AND CLASS
22-16 AWG SOLID OR STRANDED	NOT APPLICABLE

△ STAMP AMP 22-18\* APPROX AS SHOWN  
 22-16 TERMINALS ARE STAMPED 22-18 IN  
 ACCORDANCE WITH MILITARY SPECIFICATION  
 MIL-T-7928; COMMERCIAL WIRE RANGE IS 22-16



**AMP INCORPORATED  
 CUSTOMER SERVICE SYSTEMS**

FOR ADDITIONAL PRODUCT INFORMATION OR COPIES OF DRAWINGS AND TECHNICAL DOCUMENTS	PRODUCT INFORMATION CENTER 1-800-522-6752
FOR APPLICATION TOOLING INFORMATION	TOOLING ASSISTANCE CENTER 1-800-722-1111
FOR ORDER ENTRY	1-800-526-5142

MAX RECOMMENDED OPERATING TEMPERATURE: 170°C MAX  
 VOLTAGE RATING: NOT APPLICABLE  
 WIRE CROSS SECTIONAL AREA RANGE: 0.26-1.65mm<sup>2</sup> [509-3,260] CIR MILS  
 SOLID OR STRANDED

DO NOT SCALE PRINT.  
 UNLESS SPECIFIED DIMENSIONS IN MILLIMETERS - TOLERANCES ON: 1. PLG DEC ± .05 2. PLG DEC ± .05 3. PLG DEC ± .05 ANGLES

DR 4-8-93 TA BRINKMAN
CHK 4-8-93 DA PATTERSON
APPD 4-8-93 DE MILLER
APPD 4-8-93 JL MECKLEY

AMP Incorporated  
 Harrisburg, PA 17105-3608

TERMINAL, FLANGED  
 SPADE, SOLISTRAND™

SIZE	CAGE CODE	DRAWING NO
SCALE 10:1	00779	323136
		SHEET 1 OF 1